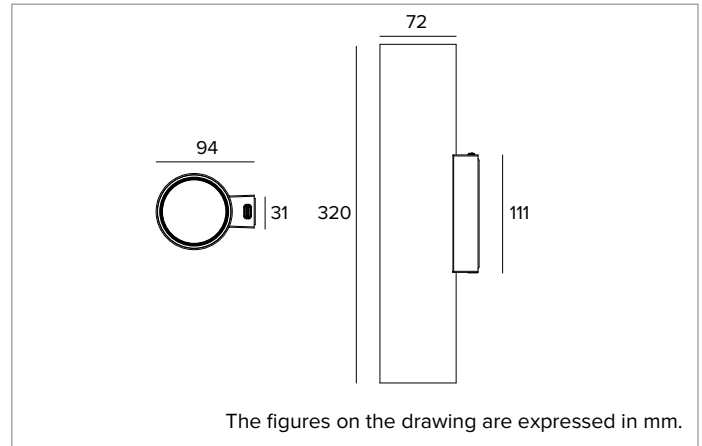


1T9948EL | LABEL 7 - Wall LED Wall-mounted fixture for direct/indirect light emission powered by mains voltage



	3000K	H(m)	D(m)	Emax(lx)		
	Ra90		46°			
Fixture Power	23W	1	0.85	2132		
Source Flux	3068lm	2	1.70	533		
Fixture Flux	2311lm	3	2.55	237		
Efficacy	101lm/W	4	3.40	133		
TS1875	I _{max} =695cd/klm	I _{max}	2133cd	5	4.25	85



SOURCE

High efficiency Chip on Board LED Ra90. 2700K-3500K on request.

Energy efficiency class: E

Nominal power: 20W

Nominal flux: 3068lm

Colour rendering index: 90

Rf: 92

Rg: 101

CCT nominal: 3000K

Lifetime (L80/B10): >50000h tq +25°C

ILLUMINOTECHNICAL CHARACTERISTICS

MWFL version - convex faceted highly reflective anodised aluminium precision optics, a holographic diffusion filter and a black silicone cut off ring.

Emission: DIRECT/INDIRECT

Optic: REFLECTOR

Beam angles: MWFL

Optical efficiency: 75%

Fixture flux: 2311lm

Luminous efficacy: 100lm/W

Photobiological safety: Compliant with RG1 low risk group

MECHANICAL CHARACTERISTICS

Cylindrical body in aluminum obtained from an extrusion process and coated with powder paint.

Colour and finish: Plaster white

Dimensions: D=72mm

Weight: 1Kg

Degree of protection: IP20

ELECTRICAL CHARACTERISTICS

Electronic ON-OFF version with the power supply integrated in the body of the fixture. Luminaire compliant with EN 60598-2-22 for power supply from a centralised emergency system CPSS (Central Power Supply System), not incorporated in the luminaire - high risk areas excluded. The default power and flux are 100% in AC and 100% in DC.

Fixture Power: 23W

Power supply: 220-240Vac 50/60Hz

Insulation Class: CLASS 2

Type of driver / Control: ON-OFF

Driver included: YES

Class F: YES

SAFE FLICKER: PstLM=<1 and SVM=<0.4 (IEC TR 61547-1 and IEC TR 63158), to ensure a more comfortable and safe light

Ambient temperature: 0°C / +25°C

INSTALLATION

Kit with fixing plate for wall installation already included.

WARRANTY

5 years.

WARNING

Luminaire designed for disposal/recycling at end-of-life. Replaceable (LED only) light source by a professional. Replaceable control gear by a professional.

Due to the technological evolution of the electronic components, the data provided may be updated, and as such, confirmation must be requested during the order process.

Luminous flux and power supply have +/-10% tolerances with respect to the indicated value. tq +25°C (CIE 121).

We reserve the right to make technical changes.

Targetti Sankey S.r.l.
Via Pratese, 164
50145 Firenze - Italy
Tel: +39 055 37911
targetti.com
targetti@targetti.com

CCIAA Firenze
Share Capital:
€ 500.000,00
VAT N. (IT):
01537660480
R.E.A: FI-275656

TARGETTI